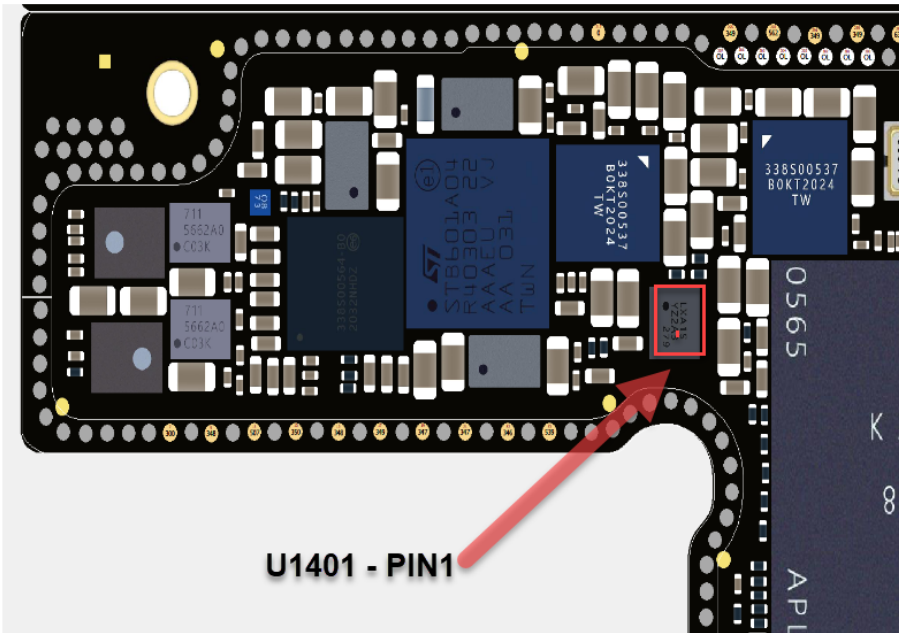
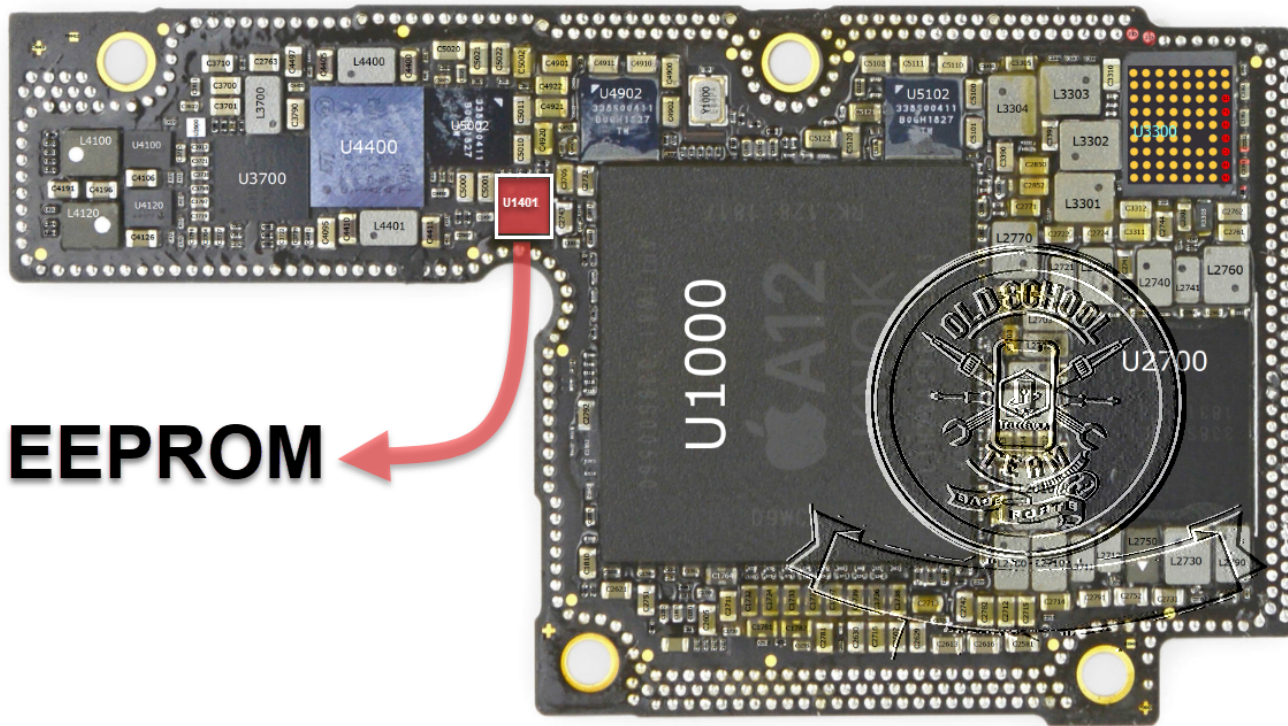


LOGIC EEPROM



At EVT, check if we can remove

I2C4 AP SDA
I2C4 AP SCL

Lynx

